



THE POPLARS

■ THERMALLY BROKEN WINDOWS AND DOORS ASSIST THIS AGED CARE FACILITY IN ACHIEVING ENERGY EFFICIENCY REQUIREMENTS.

The Poplars aged care facility is located in Epping, NSW. It has been designed by Morrison Design Partnership, who primarily design health and aged care facilities.

Estia Health Epping 'The Poplars' is one of Australia's longest-serving and well established aged care facilities, with a history that dates back to 1928.

While it has been recently rebuilt and modernised, the building still retains its exceptional heritage feel. The brief for this project was to create a truly breathtaking residence with the character of a grand country house.

The building offers large single private rooms with ensuites; many also feature kitchenettes and park views from their verandahs and balconies.

This aged care facility required an energy efficient solution to windows and doors to ensure compliance with BCA regulations for energy efficiency.

Morrison Design Partnership utilised the AWS range of thermally broken ThermalHEART™ systems throughout the facility.

AWS | PROJECT FEATURE

The building is located in central Epping and needed to fit into its surrounds. A bold frame was required to give a look of timber to mimic the period style surroundings. However, the windows and doors needed to be more durable and energy efficient.

ThermalHEART™ Series 726 awning windows and Series 726 casement windows were used throughout rooms and communal living spaces to allow crossflow ventilation and ensure ease of operation.

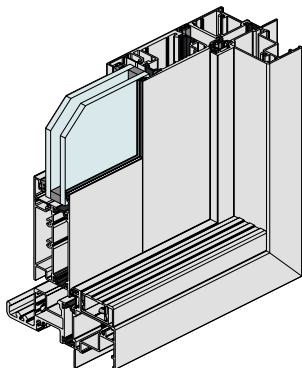
ThermalHEART™ Series 730 bi-fold doors were used to open up the stunning interiors and facilities to the beautiful landscaped gardens, flowing pathways and large open spaces.

The completed project involved restoring part of the existing building and added a fantastic extension which fits within the context of Sydney's leafy Lower North Shore.



For more information & the full gallery, visit:
thermalheart.com.au

Architect: Morrison Design Partnership



■ THERMALHEART™ SERIES 730 BI-FOLD DOOR

- × We offer ThermalHEART™ in a range of stocked colours including dual colour, contact your local Vantage fabricator for details.
- × Running bi-fold doors on bottom rollers reduces the problems caused by lintel sag and allows us to offer optional highlights.
- × This bi-fold door has been tested for compliance with the relevant Australian Standards and achieved a high water resistance of 380Pa. This makes the product suitable for most residential applications.
- × Low air infiltration makes this bi-fold door suitable for air-conditioned buildings.
- × The extra strong door stiles on this bi-fold door allow oversize door panels to be fabricated.
- × Sharp square external glazing beads are standard on this bi-fold door product.
- × 100mm frame and transom have a soft 2mm internal radius.



Superior Windows pride themselves on their superior service as well as their ability to provide assistance in finding solutions which meet your aesthetic, performance and functional requirements. All of their products are custom made, providing you with the perfect fit for any of your windows and doors. Superior are able to provide you with high quality products at a low cost.

2D & 3D CAD Files Available | Download from specifyaws.com.au to use in your projects.

For more information on this and the rest of the ThermalHEART™ range: thermalheart.com.au

